

|            |                 |   |
|------------|-----------------|---|
| <b>DTC</b> | <b>B1610/13</b> | <b>Front Airbag Sensor RH Malfunction</b> |
|------------|-----------------|---|

**DESCRIPTION**

The front airbag sensor RH consists of parts including the diagnostic circuit and the frontal deceleration sensor.

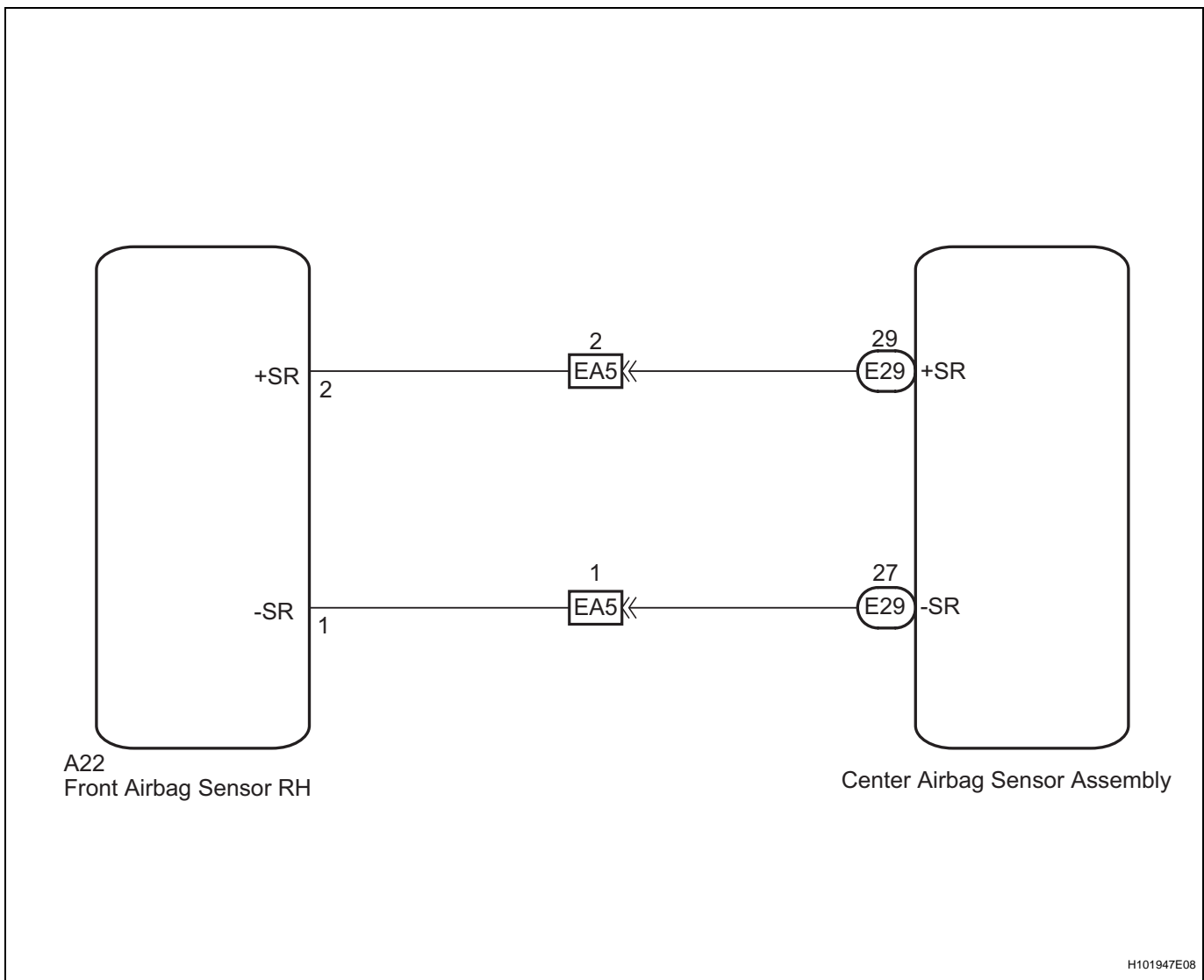
When the center airbag sensor assembly receives signals from the frontal deceleration sensor, it determines whether or not the SRS should be activated.

DTC B1610/13 is set when a malfunction is detected in the front airbag sensor RH.

| DTC No.  | DTC Detecting Condition   | Trouble Area  |
|----------|---|---|
| B1610/13 | <ul style="list-style-type: none"> <li>Front airbag sensor RH malfunction</li> <li>Center airbag sensor assembly malfunction</li> </ul> | <ul style="list-style-type: none"> <li>Front airbag sensor RH</li> <li>Center airbag sensor assembly</li> </ul> |

**WIRING DIAGRAM**

RS



H101947E08

**INSPECTION PROCEDURE**

**NOTICE:**

In order to prevent unexpected airbag deployment, disconnect the following connectors before inspecting parts such as wire harnesses, if the application of tester probes to the center airbag sensor assembly connector is necessary.

1. Turn the ignition switch to the lock position.
2. Disconnect the negative (-) terminal cable from the battery, and wait for at least 90 seconds.
3. Disconnect the connector from the center airbag sensor assembly.
4. Disconnect the connectors from the steering pad.
5. Disconnect the connectors from the front passenger airbag assembly.
6. Disconnect the connector from the front seat outer belt assembly LH.
7. Disconnect the connector from the front seat outer belt assembly RH.

HINT:

Skip the following steps if side and curtain shield airbags are not fitted.

8. Disconnect the connector from the front seat side airbag assembly LH.
9. Disconnect the connector from the front seat side airbag assembly RH.
10. Disconnect the connector from the curtain shield airbag assembly LH.
11. Disconnect the connector from the curtain shield airbag assembly RH.

|          |  |
|----------|--|
| <b>1</b> | <b>CHECK CONNECTION OF CONNECTORS (CENTER AIRBAG SENSOR ASSEMBLY AND FRONT AIRBAG SENSOR RH)</b> |
|----------|--|

**RS**

- (a) Turn the ignition switch off.
- (b) Disconnect the negative (-) terminal cable from the battery, and wait for at least 90 seconds.
- (c) Check that the connectors are properly connected to the center airbag sensor assembly and the front airbag sensor RH.

**OK:**

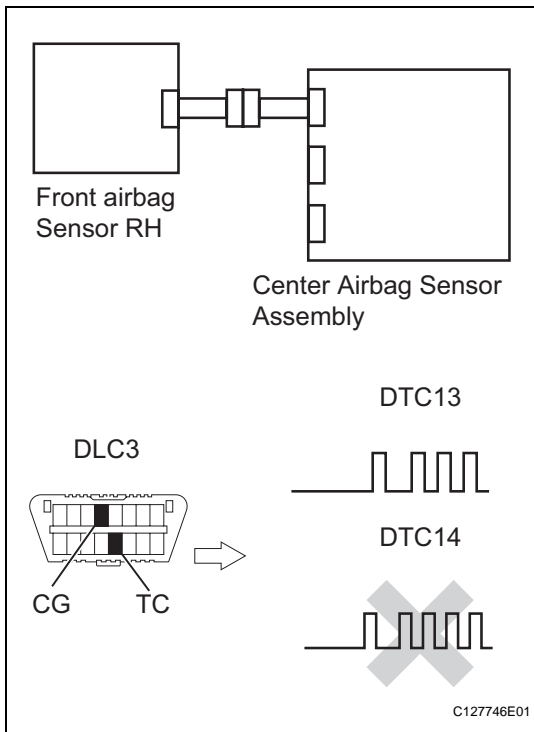
**The connectors are properly connected.**

|           |                                    |
|-----------|------------------------------------|
| <b>NG</b> | <b>CONNECT CONNECTORS PROPERLY</b> |
|-----------|------------------------------------|

**OK**

|          |  |
|----------|--|
| <b>2</b> | <b>CHECK DTC (CENTER AIRBAG SENSOR ASSEMBLY)</b> |
|----------|--|

- (a) Connect the negative (-) terminal cable to the battery, and wait for at least 2 seconds.



- (b) Turn the ignition switch on, and wait for at least 60 seconds.
- (c) Clear the DTCs stored in the memory (See page RS-36 ).
- (d) Turn the ignition switch off.
- (e) Turn the ignition switch on, and wait for at least 60 seconds.
- (f) Check the DTCs (See page RS-36 ).

**Result**

| Result                                | Proceed to |
|---------------------------------------|------------|
| DTC B1610/13 is output.               | A          |
| DTC B1610/13 and B1615/14 are output. | B          |

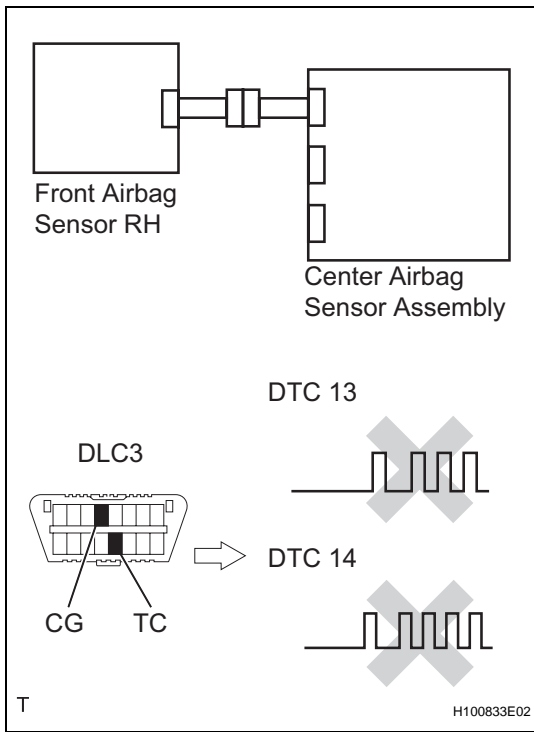
**HINT:**

DTCs other than DTC B1610/13 and B1615/14 may be output at this time, but they are not related to this check.

**B** → **REPLACE CENTER AIRBAG SENSOR ASSEMBLY**

**A**

**3 CHECK FRONT AIRBAG SENSOR RH**



- (a) Turn the ignition switch off.
- (b) Disconnect the negative (-) terminal cable from the battery, and wait for at least 90 seconds.
- (c) Interchange the front airbag sensor LH with RH and connect the connectors to them.
- (d) Connect the negative (-) terminal cable to the battery, and wait for at least 2 seconds.
- (e) Turn the ignition switch on, and wait for at least 60 seconds.
- (f) Clear the DTCs stored in the memory (See page RS-36 ).
- (g) Turn the ignition switch off.
- (h) Turn the ignition switch on, and wait for at least 60 seconds.
- (i) Check the DTCs (See page RS-36 ).

**Result**

| Result                  | Proceed to |
|-------------------------|------------|
| DTC B1610/13 is output. | A          |
| DTC B1615/14 is output. | B          |

**HINT:**

DTCs other than DTC B1610/13 and B1615/14 may be output at this time, but they are not related to this check.

**B** → **REPLACE FRONT AIRBAG SENSOR RH**

RS



REPLACE CENTER AIRBAG SENSOR ASSEMBLY